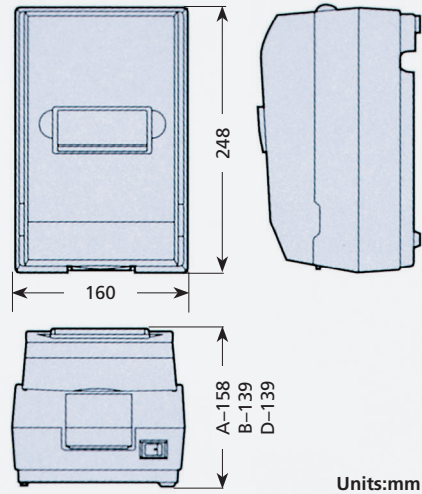


Strip/Tally Roll Printer

TM – U220 Series



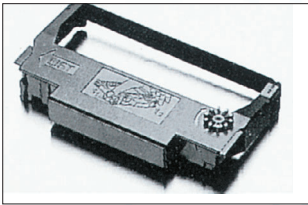
The **TM-U220 series** has been equipped with numerous features that maximise ease-of-use, including drop-in rollpaper loading, an Auto Status Back function, an auto-cutter (Type A and B). Not only do these easy-to-use features save time, they also make employee training fast and efficient.

Flexible, and With a Multitude of Applications

Two-colour printing, in black and red. Freely adjustable paper-loading pitch. A nearly universal ESC / POS-compliant control code that enables customization of receipts by users. EPSON OCX driver support. The flexibility of the TM-U220 series makes it easy to develop original application software without spending a lot of time and money.

OPTIONS

RIBBON CASSETTE



ERC-38
(purple, black, red and black)

SPECIFICATIONS

Print Method:	9-pin, serial impact dot matrix
Print Font:	7 x 9 / 9 x 9
Column capacity:	40 or 42 columns / 33 or 35 columns
Character size:	1.24(W) x 3.1(H)mm / 1.56(W) x 3.1(H)mm
Character set:	95 Alphanumeric, 32 International, 128 x 12 Graphic Tables Traditional / Simple Chinese, Thai, Japanese (A type)
Print Speed:	4.7-6 lps
Data Buffer:	Receive buffer 4k NV bit image 128k bytes User NV memory 8k bytes
Interface:	RS-232 / parallel / RS-485 / USB / Powered USB / Ethernet / IEEE802.11B
Paper:	76 mm x max. dia. 83.0mm (roll)
Paper Thickness:	0.05 – 0.8mm max total thickness .14mm
Copy Capability:	One original and one copy
Inked Ribbon:	ERC-38 (purple, black, black / red)
Ribbon Life:	Purple: 4 x 10 ⁶ characters, Black: 3 x 10 ⁶ characters,
Power Supply:	Universally internally mounted
Current Consumption:	Mean 31w
Overall Dimensions:	A Type: 160 (W) x 286 (D) x 158 (H) mm (Approx. 2.5kg)
(Weight)	B Type: 160 (W) x 286 (D) x 139 (H) mm (Approx. 2.5kg)
	D Type: 160 (W) x 286 (D) x 139 (H) mm (Approx. 2.2kg)
	VCCI class A, FCC class A, CE marking, AS / NZS 3548 class B
EMI + Safety Standards:	CE EN55022 class B (EN60950)
	CE EN55024

**Specifications are subject to change*

Atrax Group NZ Limited

Telephone 64 9 634 5337, Facsimile: 64 9 634 5339,
E-mail: atrax@atraxgroup.com Internet: www.atraxgroup.com

R0901 © 28556

ATRAX