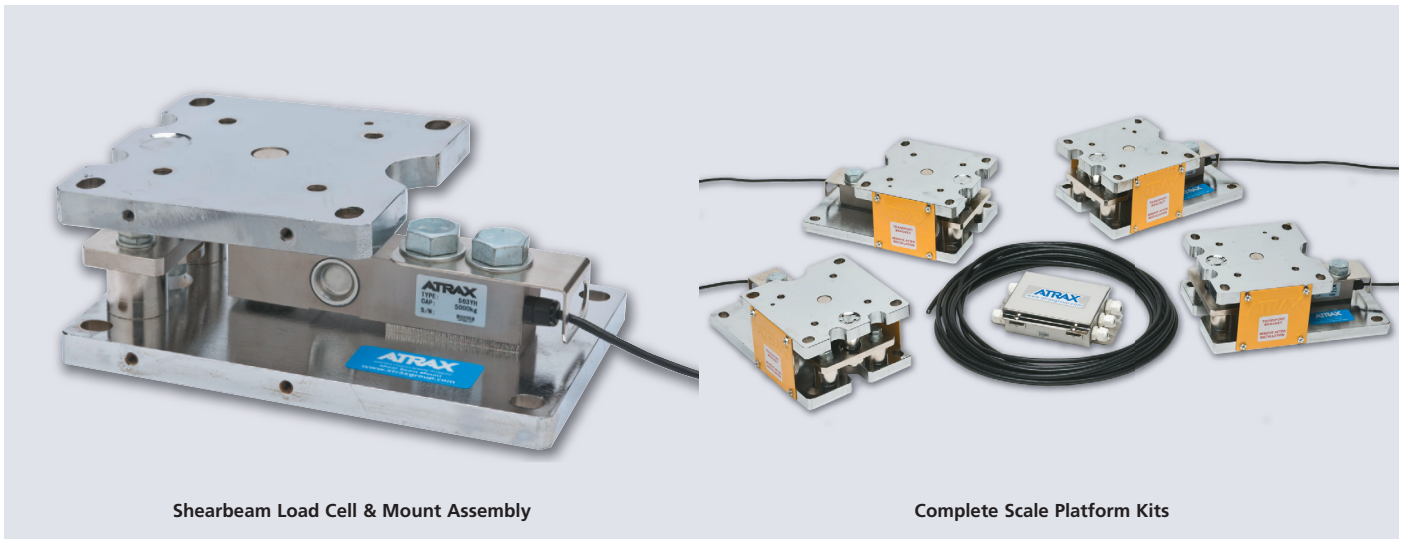


Shear Beam Load Cell & Mount Assembly

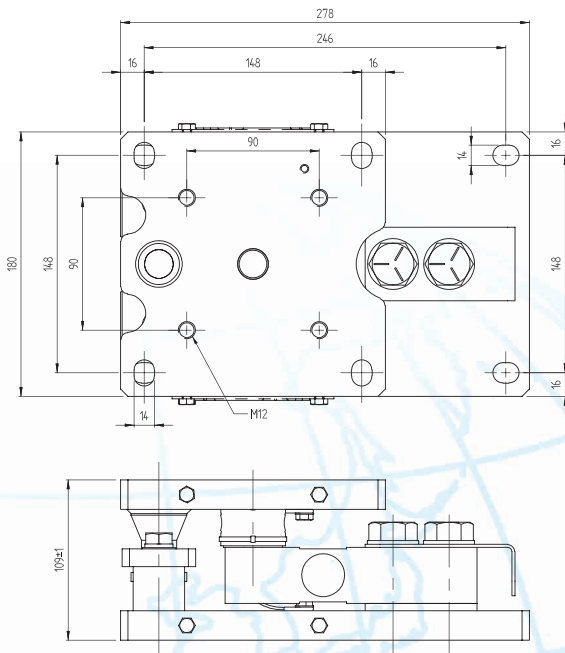
SBM-5T



Shearbeam Load Cell & Mount Assembly

Complete Scale Platform Kits

The Atrax shear beam load cell and self aligning mount assembly can be used in a wide range of industrial weighing applications, and can convert most "structures" into a weighing system. Typical applications include large platform scales, scissors lift truck docks, ball mats, roller decks, Transfer Vehicles (TV's) and Elevating Transfer Vehicles (ETV's) in air cargo, express parcel and material handling operations. The load cell/mount combination is equally suited to tank, bin and hopper weighing applications in process industries. A complete weighing system can be easily created with just a number of load cell mount assemblies, used in combination with the Atrax summing junction box and any one of the Atrax digital weight readouts.



FEATURES

- Low profile Robust design
- Self aligning Ball & Cup assembly protects load cells from side loads.
- Built in Horizontal travels stops (adjustable) and uplift restraint
- Allows for thermal expansion/contraction of attached structures
- Accommodates minor horizontal and angular misalignment
- Mounts directly to floor or structural supports
- High output load cell for accurate weighing, even with large dead loads
- Built in bracket to accept cable gland or conduit fittings
- Provision for electrical bonding strap
- Optional stainless steel cover for wash-down or outdoor use
- Optional stainless steel mount and/or load cell available
- Compatible to all Atrax readouts

SPECIFICATIONS

Safe Overload:	150%
Ultimate Overload:	300%
Maximum Side Load:	26 kilo Newton
Maximum Uplift:	20 kilo Newton
Load Cell Capacity:	3,000kg to 5,000kg (5,000lb to 10,000lb)
Shipping Size	31cm (L) x 24cm (W) x 15cm (H) 15.9kg Gross

Atrax Group NZ Limited.

Telephone 64 9 634 5337, Facsimile: 64 9 634 5339,
E-mail: atrax@atragroup.com Internet: www.atragroup.com

R1110

ATRAX