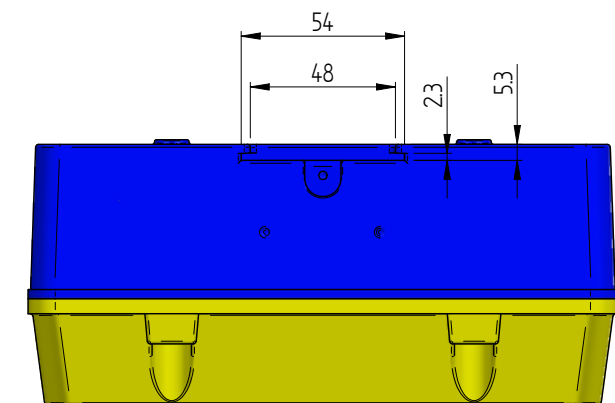
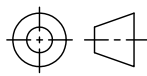


VIEW ON REAR  
SCALE: 1:2.5



VIEW ON SLOT  
SCALE: 1:2.5

3RD ANGLE PROJECTION



UNITS: mm

A3

**ATRAX**

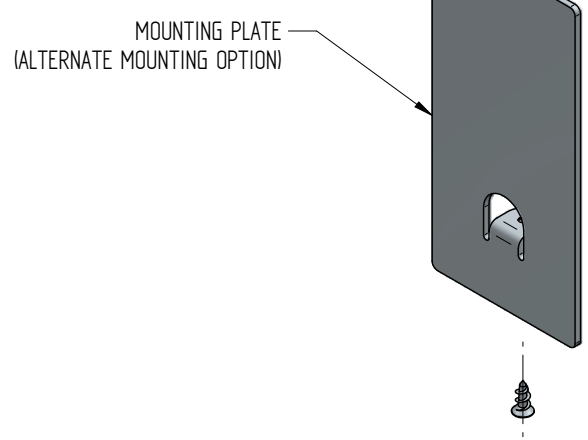
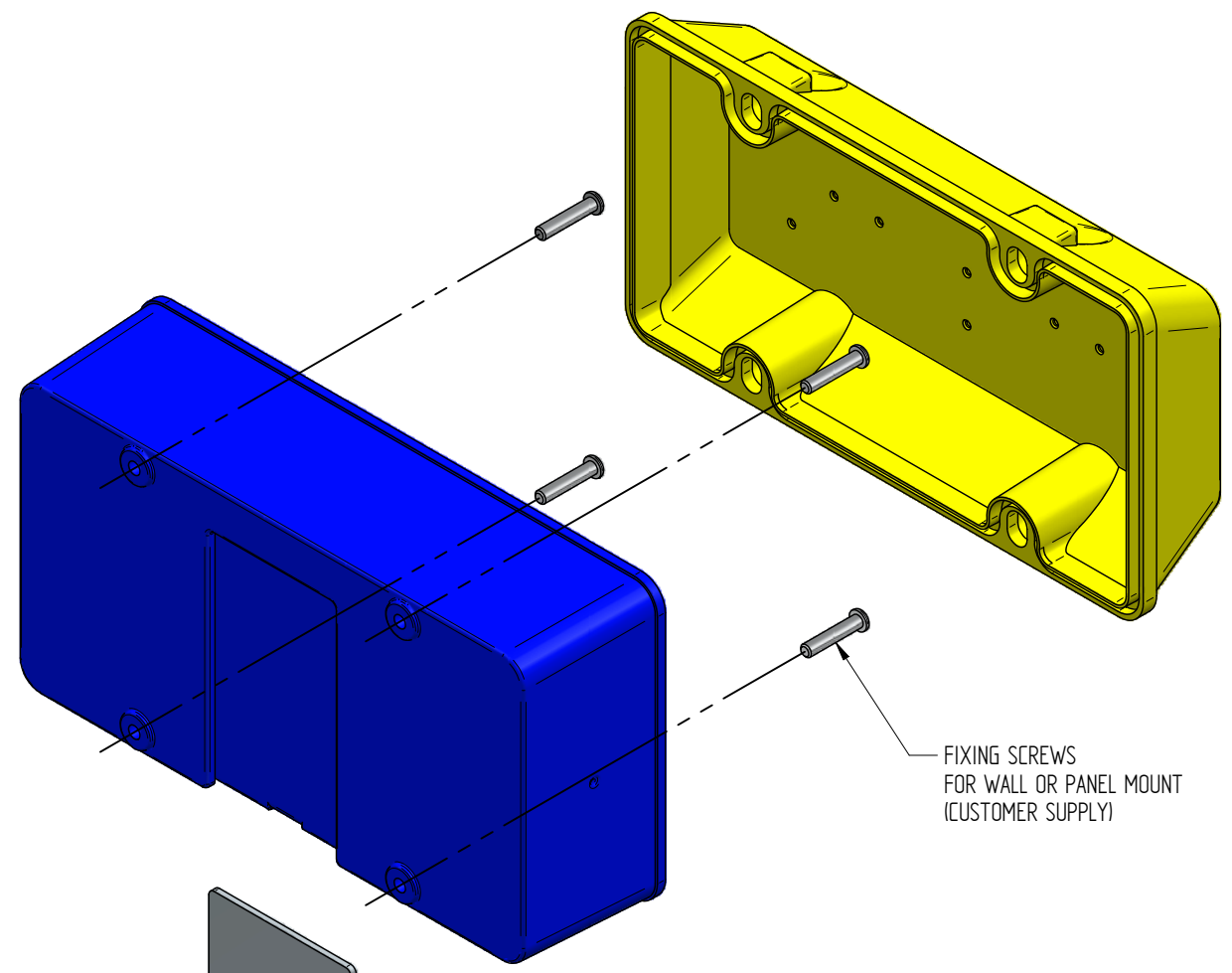
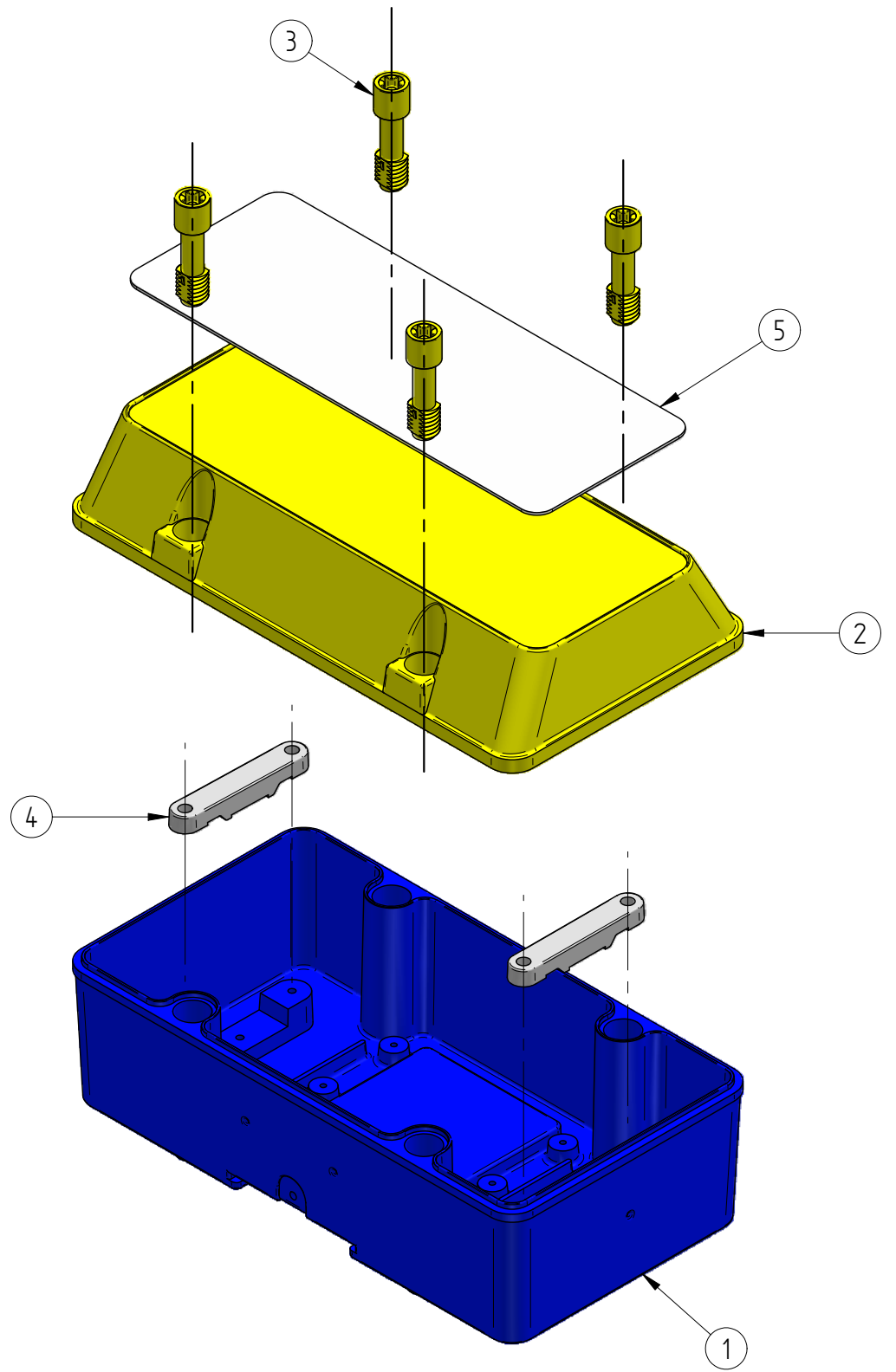
Auckland, New Zealand  
PO Box 11 087 Ellerslie, Auckland  
Ph 64-9-634 5337 Fax 64-9-634 5339  
www.atraxgroup.com

FINISH: -  
2010 Copyright Atrax Group NZ Ltd:  
These drawings and the all designs  
shown are the subject of copyright  
owned by Atrax and may be  
protected by other intellectual  
property rights. Unauthorised  
copying or use is prohibited.

NGS	-	P1	6/7/13	APP.	K.M.
BY	ECN	ISSUE	DATE	DATE	31/5/11

MATERIAL AS NOTED	SCALE N.T.S
PRODUCT	DRG. N.SMITH
MULTI-USE ENCLOSURE BOX	DATE 31/5/11
DRAWING TITLE	APP. K.M.
GENERAL ASSEMBLY	DATE 31/5/11

PART NO.	E-BOX-105-195
SHEET 1 OF 2	
DRG NO.	AT020686A
ISSUE	P1



ITEM	QTY:	DESCRIPTION	MATL:
1	1	CASE - LOWER HALF	ABS Plastic, high impact
2	1	LID	ABS Plastic, high impact
3	4	LID SCREW (CAPTIVE)	ABS Plastic, high impact
4	2	CLAMP BAR, DIN RAIL	ABS Plastic, high impact
5	1	LABEL - 179.5 x 68	Polycarbonate

NOTES:  
 BOXES DESIGNED TO MEET:  
 TUV-IP65, UL-TYPE 4  
 ROHS COMPLIANT

 UNITS: mm <b>A3</b>	 Auckland, New Zealand PO Box 11 087 Ellerslie, Auckland Ph 64-9-634 5337 Fax 64-9-634 5339 www.atraxgroup.com	FINISH: - 2010 Copyright Atrax Group NZ Ltd: These drawings and the all designs shown are the subject of copyright owned by Atrax and may be protected by other intellectual property rights. Unauthorised copying or use is prohibited.	SCALE N.T.S		MATERIAL PRODUCT MULTI-USE ENCLOSURE BOX	PART NO. E-BOX-105-195	
			DRG. N.SMITH DATE 6/7/13	APP.		SHEET 2 OF 2	ISSUE P1
NGS - P1 6/7/13 BY ECN ISSUE DATE DATE			DRAWING TITLE GENERAL ASSEMBLY		DRG NO. AT020686A		ISSUE P1