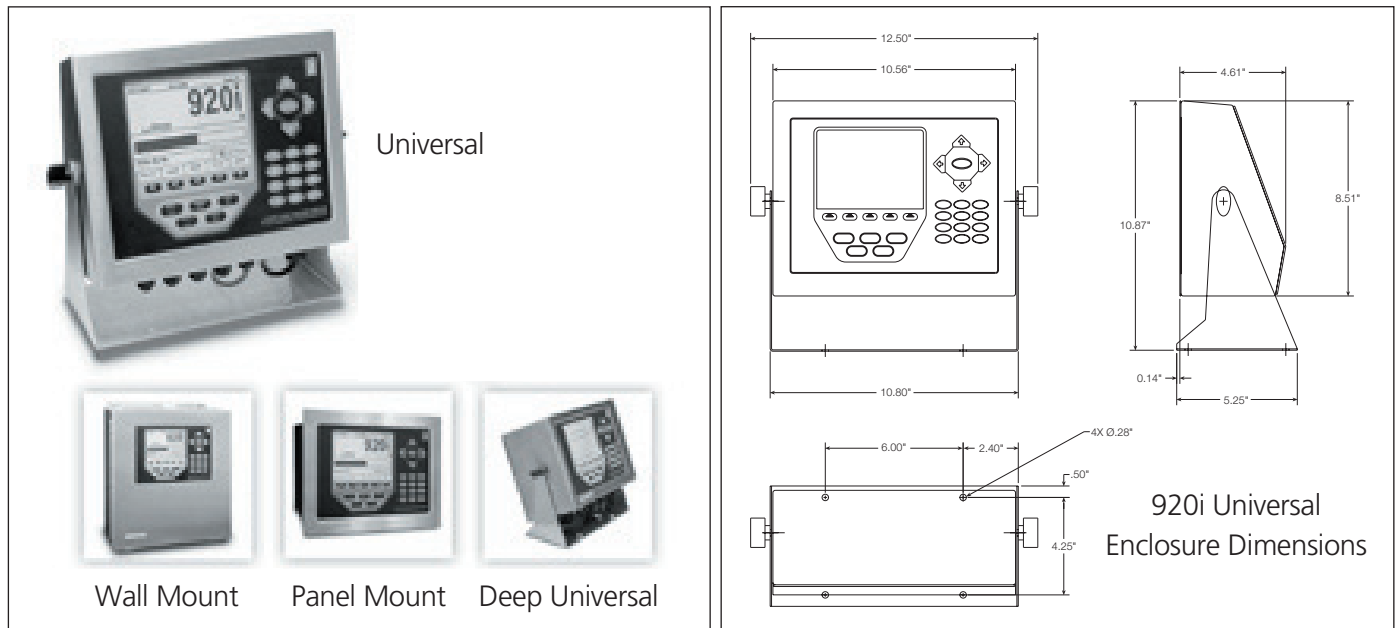


920i Programmable Digital Weight Indicator



FEATURES

- Large (4.6" W x 3.4" H, 320 x 240 pixel) back-lit LCD graphic display
- Selectable character sizes from .25" to 1.2"
- 60 configurable operator prompts
- Display up to four scale channels per screen with required legal-for-trade information
- 32 scale accumulators
- Five soft keys with 10 user-defined, 14 present functions per screen
- 10 programmable display screens
- Millivolt calibration, 5-point linearization and geographical calibration
- NEMA 4X/IP66 stainless steel enclosure
- Selectable A/D measurement rate up to 960/second
- 100 setpoints, 30 configurable setpoint types
- Two slots for option cards
- 1000-ID truck register for in/out weighing
- 64K user on-board NV RAM
- User programmable 128K flash memory
- Reflash memory to upgrade firmware
- Power for 16, 350Ω load cells per A/D board

APPROVALS

NTEP – at 10,000 Divisions, Class III/III, CC# 01-088;
 Measurement Canada at 10,000 Divisions, Class III/III HD AM-5426; OIML approved, UK 2658; CE marked; UL & C-UL listed (Universal & Deep Enclosure) (Wall Mount approved for 508A industrial control panel) Panel Mount UL recognised); OIML 6000/10,000 Divisions, UK 2658



SPECIFICATIONS

Power	Line voltages: 115 or 230 VAC, high pot test. Frequency: 50 or 60 Hz. Power consumption: 340 mA, maximum @ 115 VAC (26 W) 240 mA @ 230 VAC (26 W)
Excitation Voltage	10± 0.5 VDC, 16 x 350Ω or 32 x 700Ω load cells per A/D card
Analog Signal Input Range	-10 mV to +45 mV
Analog Signal Sensitivity	0.3 μV/graduation minimum @ 7.5 Hz 1.0 μV/graduation typical @ 120 Hz 4.0 μV/graduation typical @ 960 Hz
A/D Sample Rate	7.5 to 960 Hz, software selectable
Resolution	Internal resolution: 8,000,000 counts/8,000,000 23 bit. Weight display resolution: 9,999,999
System Linearity	± 0.01% full scale
Digital I/O	Four I/O channels on CPU board; optional 24-channel I/O expansion boards available
Circuit Protection	RFI, EMI, ESD protection
Serial Ports	Four ports on CPU board support up to 115,200 bps; optional dual-channel serial expansion boards available. Port 1: Full duplex RS-232. Port 2: RS-232 with CTS/RTS; PS/2 keyboard interface via DB-9 connector. Port 3: Full duplex RS-232, 20 mA output. Port 4: Full duplex RS-232, 2-wire RS-485, 20 mA output
Display	4.6" W x 3.4" H (116 W x 86 mm H), 320 x 240 pixel VGA Liquid Crystal Display (LCD) module with adjustable contrast, 75 Hz scan rate 26,000 cd/m ² brightness.
Keyboard	27-key membrane panel, tactile feel, PS/2 port for external keyboard connection
Operating Temperature	Legal: 14°F to 104°F (-10°C to +40°C). Industrial: 14°F to 122°F (-10°C to +50°C).
Dimensions	Universal: 10.5" W x 10.9" H x 4.5" D (266 W x 215 H x 114 mm D). Wall Mount: 14.3" W x 18.0" H x 6.75" D (355 W x 457 H x 171 mm D). Panel Mount: 11.6" W x 9.2" H x 5.2" D (294 W x 231 H x 127 mm D). Deep Universal: 10.75" W x 10.75" H x 5.4" D (273 W x 273 H x 137 mm D).
Weight	Universal enclosure: 9.5 lb (4.3 kg). Wall Mount enclosure: 23.0 lb (10.4 kg). Panel Mount enclosure: 8.5 lb (3.9 kg) Deep Universal: 11.1 lb (5.0 kg)
Rating/Material	NEMA 4X/IP66, stainless steel
Warranty	2-year limited warranty

Atrax Group NZ Limited.

390A Church Street, Penrose, Auckland, New Zealand. Telephone 64 9 634 5337,
 Facsimile: 64 9 634 5339, E-mail: atrax@atraxgroup.com Internet: www.atraxgroup.com

Ref: 0607 ©Atrax Group 2007