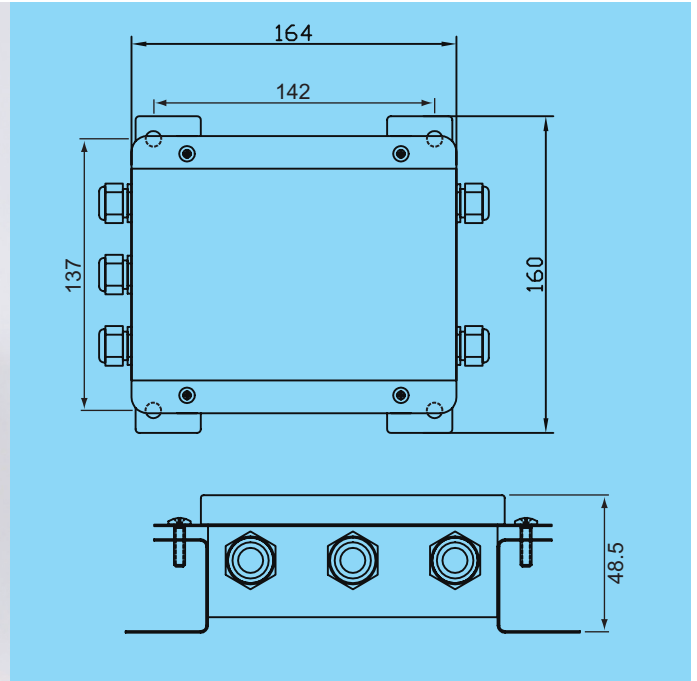


Load Cell Summing Junction Box

Model LC - 650-JB



The Atrax LC-650-JB Junction Box provides summation and calibration sensitivity matching for up to six load cells in a weighing system, and combines the weight signals into a single output. Installation and commissioning of your weighing system is made quick and easy through minimum interaction between load cell channels and zero points, quick connect spring clamp (self locking) wire terminals, and 25 turn fine adjust trim-pots. The unit is housed in a rugged, fully welded stainless steel enclosure with rubber gaskets and water proof cable glands. The printed circuit board is protected with a heavy duty moisture proof conformal coating. This makes the LC-650-JB suitable for all industrial weighing applications, indoor or outdoor.

FEATURES

- Fast & Simple to use.
- Super fine adjustment for maximum accuracy
- Signal trimming for minimum interaction between load cells
- Never experience poor connections again
- Stable over temperature, humidity and time
- Moisture proof conformal coating on PCB
- Rugged & compact Stainless Steel case with convenient mounting tabs
- Cable entry via clamping glands or flexible conduit adapters
- Compatible to all Atrax readouts

SPECIFICATIONS

IP65 (Nema 4X) enclosure
4 or 6 load cell input channels
Accepts 100 ohm to 700 ohm load cells
Adjustment range: Approximately 3.4% of output for 350 ohm cells
Approximately 6.0% of output for 700 ohm cells
Cable entry glands for 6mm to 10mm cable diameter (other sizes available)
Dual contact wiper - low noise, high stability trim-pots
High stability 15ppm fixed resistors

Atrax Group NZ Limited.
Telephone 64 9 634 5337, Facsimile: 64 9 634 5339,
E-mail: atrax@atraxgroup.com Internet: www.atraxgroup.com

Ref: 0607 ©Atrax Group 2007

ATRAX